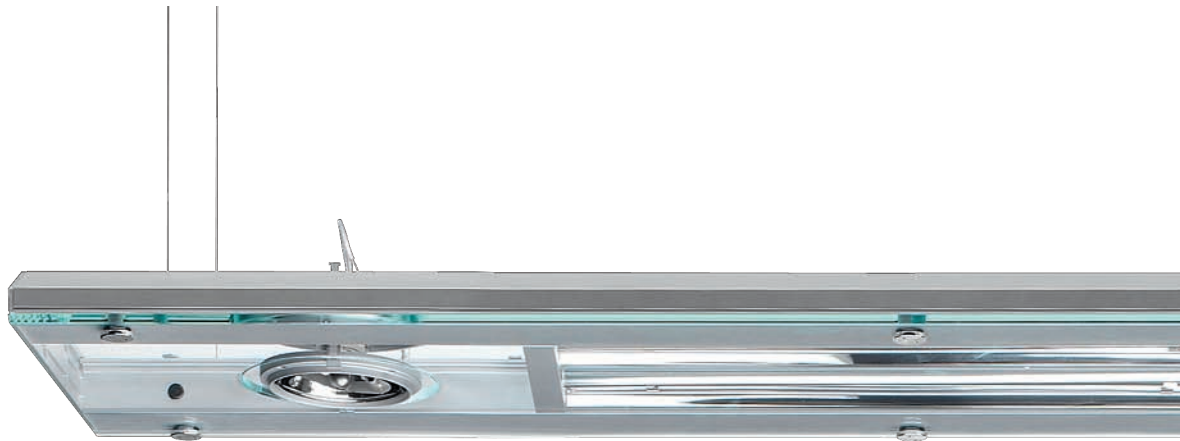
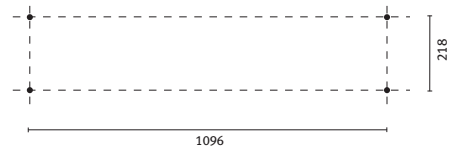


EXTRUDO LUM 1330

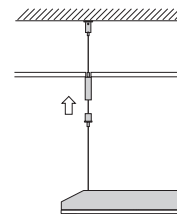
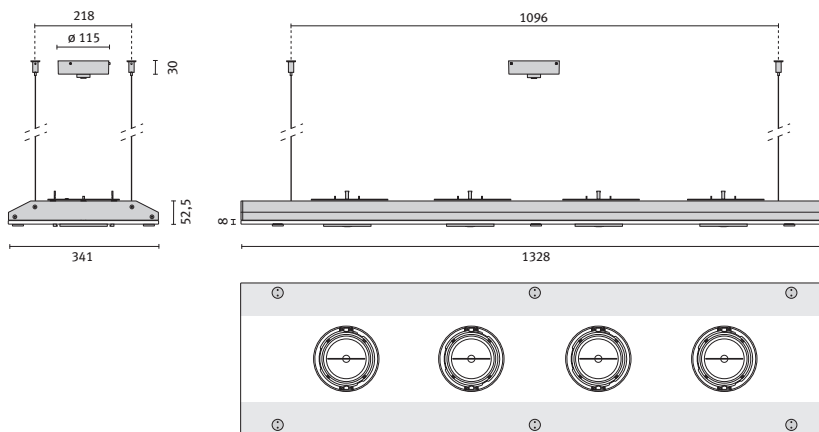
Suspended luminaire for halogen, discharge and fluorescent lamps



Housing in extruded aluminium. End pieces in painted die-cast aluminium. Upper and lower diffusers in extra-clear tempered transparent flat glass. Wiring box and components in painted die-cast aluminium. Ceiling mount in painted die-cast aluminium. Screws for the lower glass in chromed brass. Individual switching available. The luminaires are suspended with 2.0 m steel cables with a quick adjustment system. The fluorescent models come with a polished reflector to direct the light beam downwards. For diffused up&down lighting, remove the reflector. All the lamps with a diameter 110 can be turned in all directions with 360° rotation and can also be partially extracted from the trim. Class I, IP20.



Mounting distances



The kit makes it possible to mount the suspension cables directly on the ceiling, without losing the possibility of adjusting the length, for cases in which there is a false ceiling that might not be able to withstand the weight of the luminaires.

Version	Metallic grey housing	Socket type	Light beam width
QR111 4 x up to 100 W c/w trafo	3018245	G53	8° - 24° - 45°
T5 2 x 54 W c/w electronic ballast	3018275	G5	-
T5 2 x 24 W c/w electr. b. + QR111 2 x 100 W c/w trafo	3018385	G5+G53	8° - 24° - 45°
T5 2 x 24 W c/w electr. b. + HIR111 2 x 35 W c/w electronic b.	3018415	G5+GX8,5	10° - 24° - 40°
T5 2 x 24 W c/w electr. b. + HIR111 2 x 70 W c/w electronic b.	3018405	G5+GX8,5	10° - 24° - 40°
HIR111 4 x 35 W c/w electronic ballast	3018285	GX8,5	10° - 24° - 40°
HIR111 4 x 70 W c/w electronic ballast	3018265	GX8,5	10° - 24° - 40°

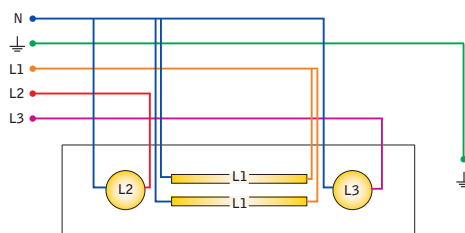
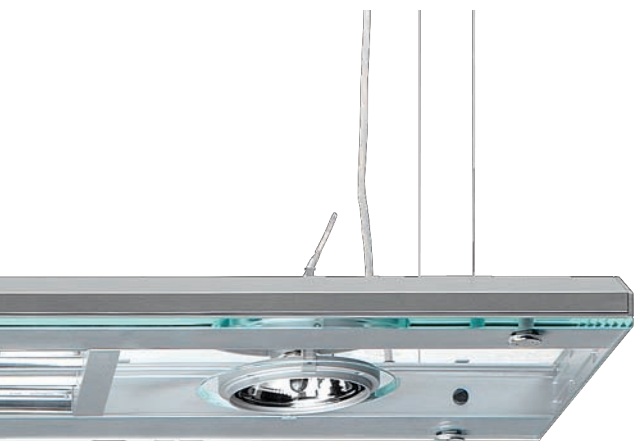
Accessories (Please order separately!)

HIR111 - 35 W - 10°	347001
HIR111 - 35 W - 24°	347002
HIR111 - 35 W - 40°	347003
HIR111 - 70 W - 10°	347004
HIR111 - 70 W - 24°	347005
HIR111 - 70 W - 40°	347006
Reflector for T5 lamps 14-24 W	310203
Reflector for T5 lamps 28-54 W	310205
Kit for false ceilings	387001

HIR111 lamps 35W and 70W with light beam width of 10°, 24° and 40°.

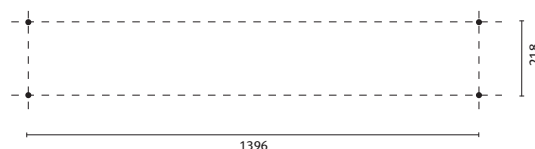
EXTRUDO LUM 1660

Suspended luminaire for halogen, discharge and fluorescent lamps

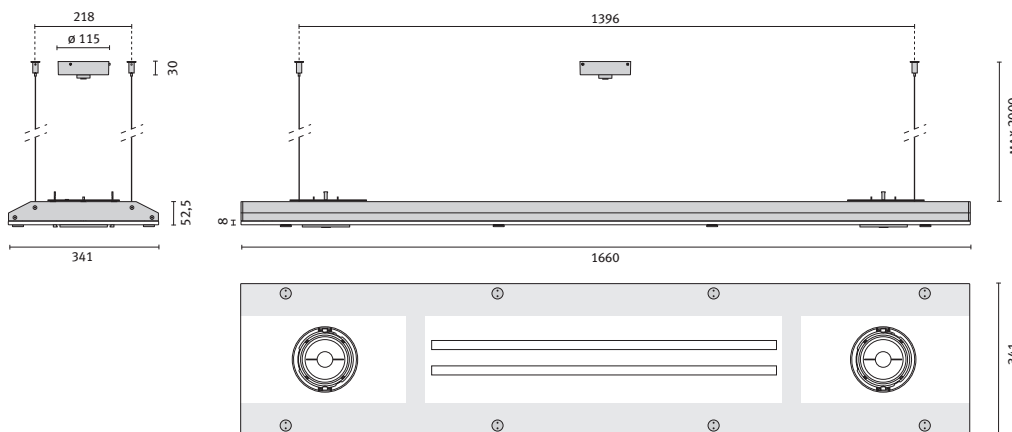


With Extrudo, a single fixture can provide the right amount of lighting at all times. In fact, it is possible to obtain individual switching of the different light bulbs present in a single luminaire by using more than one power line.

Housing in extruded aluminium. End pieces in painted die-cast aluminium. Upper and lower diffusers in extra-clear tempered transparent flat glass. Wiring box and components in painted die-cast aluminium. Ceiling mount in painted die-cast aluminium. Screws for the lower glass in chromed brass. Individual switching available. The luminaires are suspended with 2.0 m steel cables with a quick adjustment system. The fluorescent models come with a polished reflector to direct the light beam downwards. For diffused up&down lighting, remove the reflector. All the lamps with a diameter 110 can be turned in all directions with 360° rotation and can also be partially extracted from the trim. Class I, IP20.



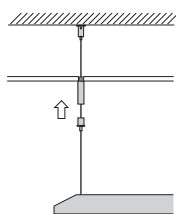
Mounting distances



Version	Metallic grey housing	Socket type	Light beam width
T5 2 x 80 W c/w electronic ballast	3018295	G5	-
T5 2 x 39 W c/w electr. b. + QR111 2 x 100 W c/w trafo	3018425	G5+G53	8° - 24° - 45°
T5 2 x 39 W c/w electr. b. + HIR111 2 x 35 W c/w electronic b.	3018455	G5+GX8,5	10° - 24° - 40°
T5 2 x 39 W c/w electr. b. + HIR111 2 x 70 W c/w electronic b.	3018445	G5+GX8,5	10° - 24° - 40°

Accessories (Please order separately!)

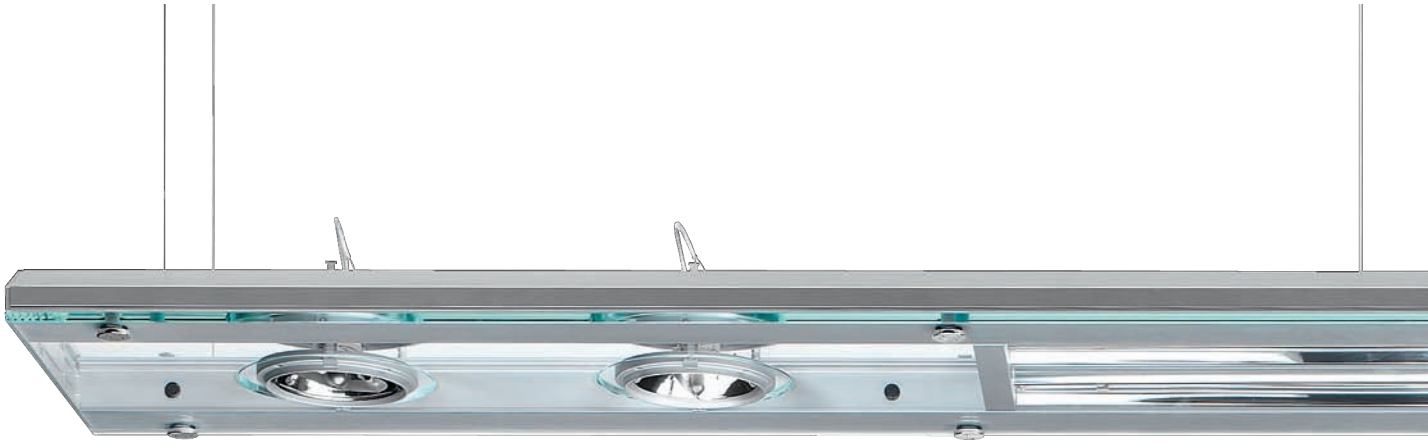
HIR111 - 35 W - 10°	347001
HIR111 - 35 W - 24°	347002
HIR111 - 35 W - 40°	347003
HIR111 - 70 W - 10°	347004
HIR111 - 70 W - 24°	347005
HIR111 - 70 W - 40°	347006
Reflector for T5 lamps 21-39 W	310204
Reflector for T5 lamps 35-80 W	310206
Kit for false ceilings	387001



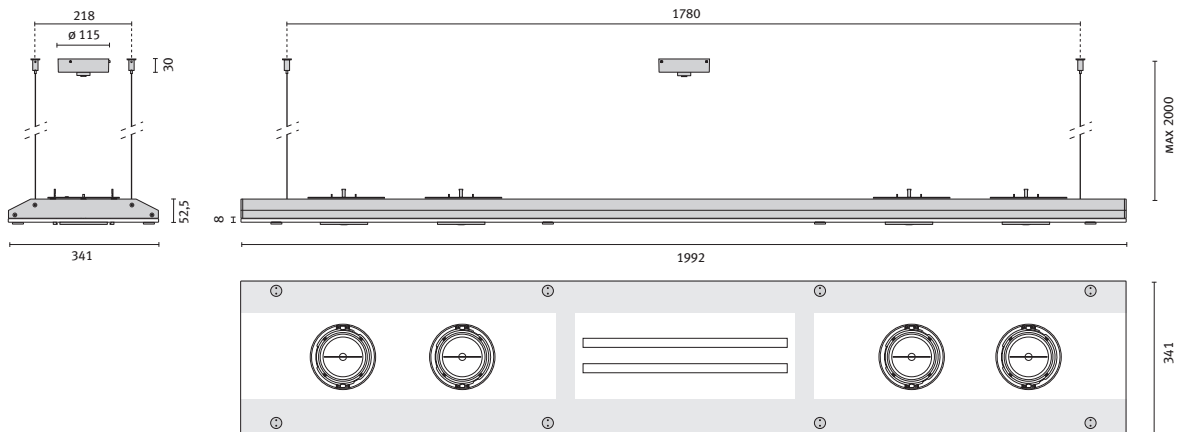
The kit makes it possible to mount the suspension cables directly on the ceiling, without losing the possibility of adjusting the length, for cases in which there is a false ceiling that might not be able to withstand the weight of the luminaires.

EXTRUDO LUM 1990

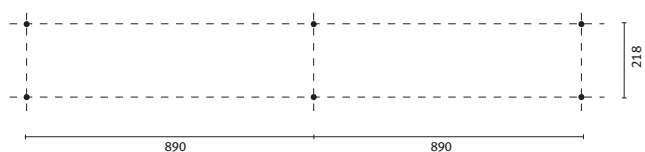
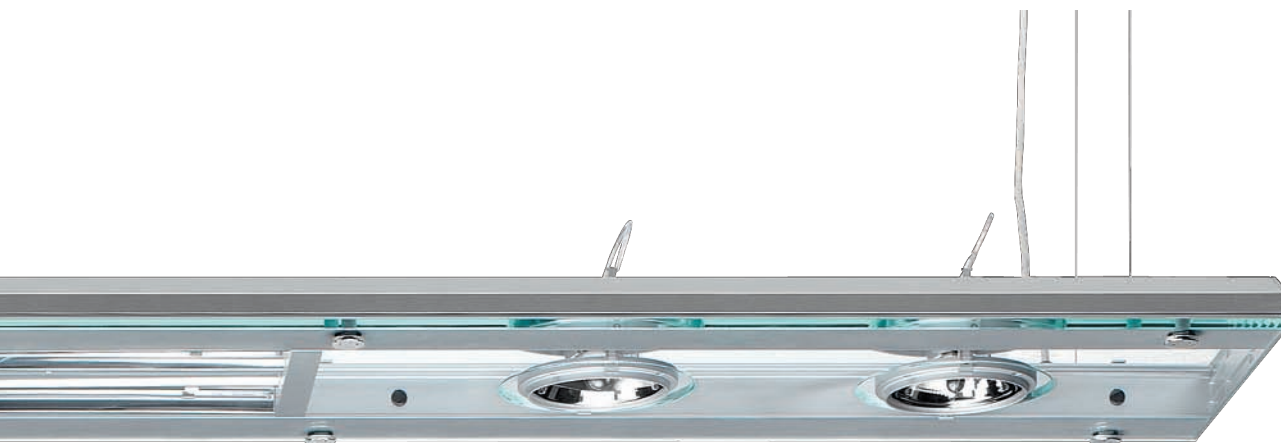
Suspended luminaire for halogen, discharge and fluorescent lamps



Housing in extruded aluminium. End pieces in painted die-cast aluminium. Upper and lower diffusers in extra-clear tempered transparent flat glass. Wiring box and components in painted die-cast aluminium. Ceiling mount in painted die-cast aluminium. Screws for the lower glass in chromed brass. Individual switching available. The luminaires are suspended with 2.0 m steel cables with a quick adjustment system. The fluorescent models come with a polished reflector to direct the light beam downwards. For diffused up&down lighting, remove the reflector. All the lamps with a diameter 110 can be turned in all directions with 360° rotation and can also be partially extracted from the trim. Class I, IP20.



Version	Metallic grey housing	Socket type	Light beam width
T5 2 x 24 W c/w electr. b. + QR111 4 x 100 W c/w trafo	3018305	G5+G53	8° - 24° - 45°
T5 2 x 24 W c/w electr. b. + HIR111 4 x 35 W c/w electronic b.	3018335	G5+GX8,5	10° - 24° - 40°
T5 2 x 24 W c/w electr. b. + HIR111 4 x 35 W c/w electronic b.	3018325	G5+GX8,5	10° - 24° - 40°

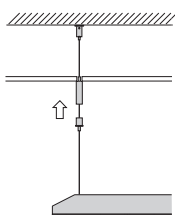


Mounting distances

Accessories (Please order separately!)

HIR111 - 35 W - 10°	347001
HIR111 - 35 W - 24°	347002
HIR111 - 35 W - 40°	347003
HIR111 - 70 W - 10°	347004
HIR111 - 70 W - 24°	347005
HIR111 - 70 W - 40°	347006
Reflector for T5 lamps 14-24 W	310203
Kit for false ceilings	387001

HIR111 lamps 35W and 70W with light beam width of 10°, 24° and 40°.



The kit makes it possible to mount the suspension cables directly on the ceiling, without losing the possibility of adjusting the length, for cases in which there is a false ceiling that might not be able to withstand the weight of the luminaires.