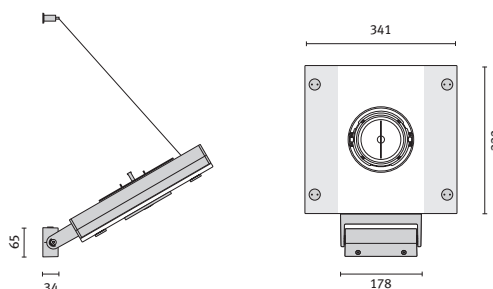


EXTRUDO WALL 330

Wall luminaire for halogen lamps



Housing in extruded aluminium. End pieces in painted die-cast aluminium. Upper and lower diffusers in extra-clear tempered transparent flat glass. Wiring box and components in painted die-cast aluminium. Screws for the lower glass in chromed brass. Bracket for wall mounting with the option of regulating/turning the fixture, in painted die-cast aluminium. Steel cable for extra safety wall anchoring. All the lamps with a diameter 110 can be turned in all directions with 360° rotation and can also be partially extracted from the trim. Class I, IP20.



Version	Metallic grey housing	Socket type	Light beam width
QR111 up to 100 W c/w trafo	3018025	G53	8° - 24° - 45°

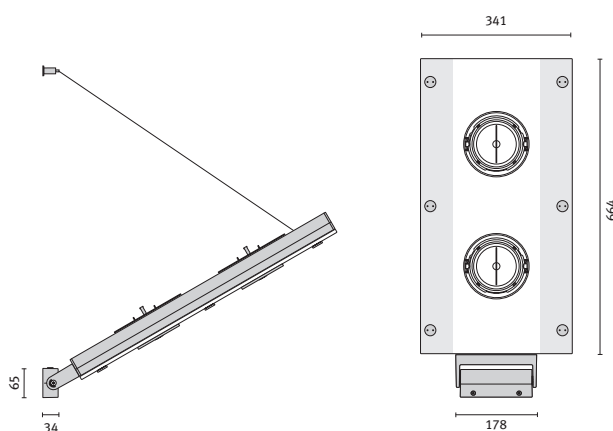
EXTRUDO WALL 660

Wall luminaire for halogen and discharge lamps



HIR111 lamps 35W and 70W with light beam width of 10°, 24° and 40°.

Housing in extruded aluminium. End pieces in painted die-cast aluminium. Upper and lower diffusers in extra-clear tempered transparent flat glass. Wiring box and components in painted die-cast aluminium. Screws for the lower glass in chromed brass. Bracket for wall mounting with the option of regulating/turning the fixture, in painted die-cast aluminium. Steel cable for extra safety wall anchoring. Individual switching available. All the lamps with a diameter 110 can be turned in all directions with 360° rotation and can also be partially extracted from the trim. Class I, IP20.



Accessories (Please order separately!)

HIR111 - 35 W - 10°	347001
HIR111 - 35 W - 24°	347002
HIR111 - 35 W - 40°	347003
HIR111 - 70 W - 10°	347004
HIR111 - 70 W - 24°	347005
HIR111 - 70 W - 40°	347006

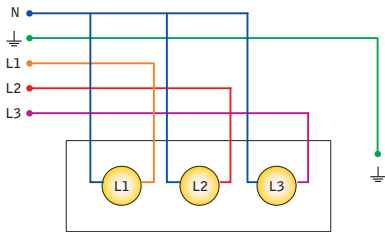
Version	Metallic grey housing	Socket type	Light beam width
QR111 2 x up to 100 W c/w trafo	3018095	G53	8° - 24° - 45°
HIR111 2 x 35 W electronic ballast	3018135	GX8,5	10° - 24° - 40°
HIR111 2 x 70 W electronic ballast	3018115	GX8,5	10° - 24° - 40°

EXTRUDO WALL 1000

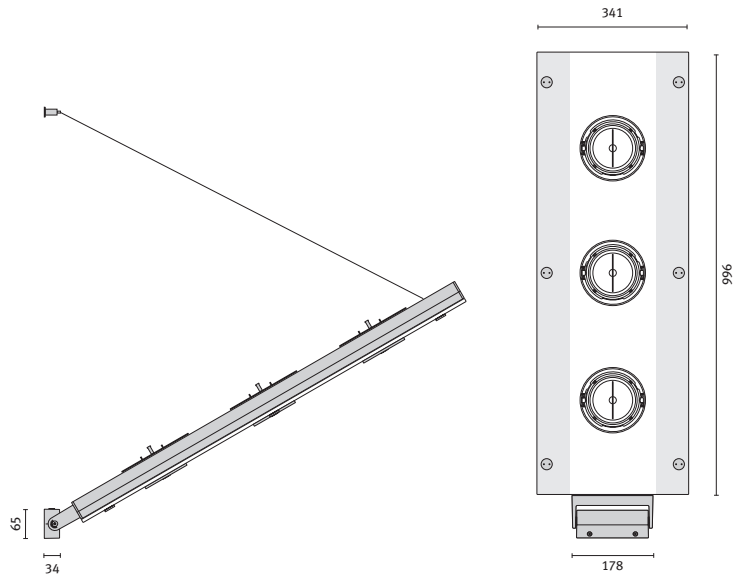
Wall luminaire for halogen and discharge lamps



With Extrudo, a single fixture can provide the right amount of lighting at all times. In fact, it is possible to obtain individual switching of the different light bulbs present in a single luminaire by using more than one power line.



Housing in extruded aluminium. End pieces in painted die-cast aluminium. Upper and lower diffusers in extra-clear tempered transparent flat glass. Wiring box and components in painted die-cast aluminium. Screws for the lower glass in chromed brass. Bracket for wall mounting with the option of regulating/turning the fixture, in painted die-cast aluminium. Steel cable for extra safety wall anchoring. Individual switching available. All the lamps with a diameter 110 can be turned in all directions with 360° rotation and can also be partially extracted from the trim. Class I, IP20.



Accessories (Please order separately!)

HIR111 - 35 W - 10°	347001
HIR111 - 35 W - 24°	347002
HIR111 - 35 W - 40°	347003
HIR111 - 70 W - 10°	347004
HIR111 - 70 W - 24°	347005
HIR111 - 70 W - 40°	347006

HIR111 lamps 35W and 70W with light beam width of 10°, 24° and 40°.

Version	Metallic grey housing	Socket type	Light beam width
QR111 3 x up to 100 W c/w trafo	3018195	G53	8° - 24° - 45°
HIR111 3 x 35 W c/w electronic ballast	3018235	GX8,5	10° - 24° - 40°
HIR111 3 x 70 W c/w electronic ballast	3018215	GX8,5	10° - 24° - 40°

(the width of the light beam depends on the bulb, not the fixture)



Cafarelli HOME