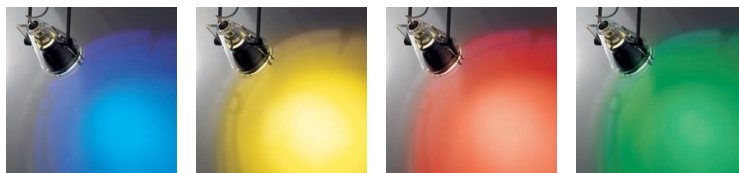




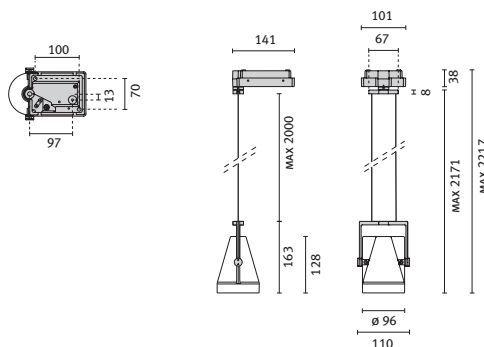
# JUEL LUM

Suspended luminaire for halogen and discharge lamps

Range of luminaires suspended mounted. Transparent glass diffuser, 95 mm, 130 mm and 160 mm diameter. Painted die cast aluminium diffuser holder and aiming system. Painted die cast aluminium canopy. Chromed metal reflector and hardware. The luminaires are suspended by two stainless steel aircraft cables, 2 m long. Class I, IP20.



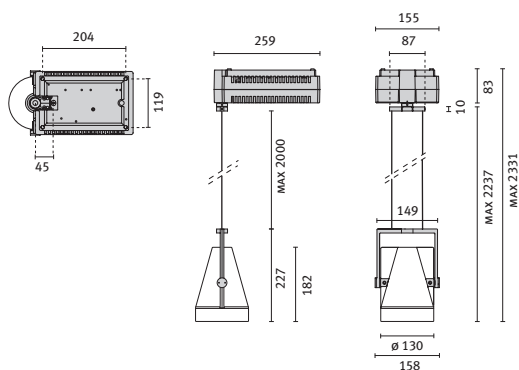
For coloured filters and protective glass, see page 460



JUEL MINI LUM	Met. grey structure	Socket type	Light angle
QR-CBC 51 max 35 W c/w trafo	<b>006478</b>	GU5,3	10°- 24°- 38°- 60°



Bases for Mini fixtures, with  $\varnothing$  95 mm diffuser.

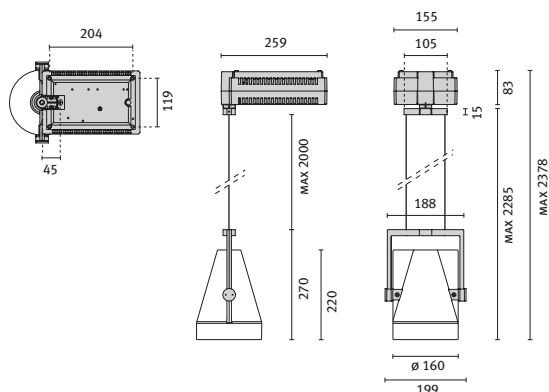


JUEL MEDIUM LUM	Met. grey structure	Socket type	Light angle
QR111 max 100 W c/w trafo	<b>006558</b>	G53	8°- 24°- 45°
HST-CRI 50 W c/w electronic ballast	<b>006443*</b>	Gx12	-
HIR111 35 W c/w electronic ballast	<b>006559</b>	Gx8,5	-

\* not suitable for coloured filters



Bases for Midi fixtures, with  $\varnothing$  130 mm diffuser.



JUEL MAXI LUM	Met. grey structure	Socket type	Light angle
HST-CRI 100 W c/w electronic ballast	<b>006461*</b>	Gx12	-

\* not suitable for coloured filters



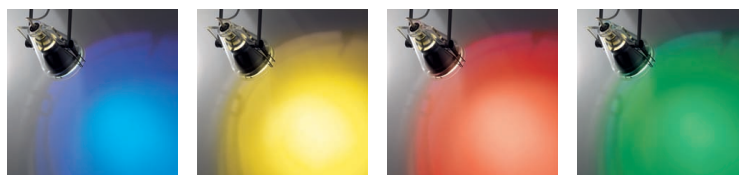
Bases for Maxi fixtures, with  $\varnothing$  160 mm diffuser.

# JUEL LUM/R

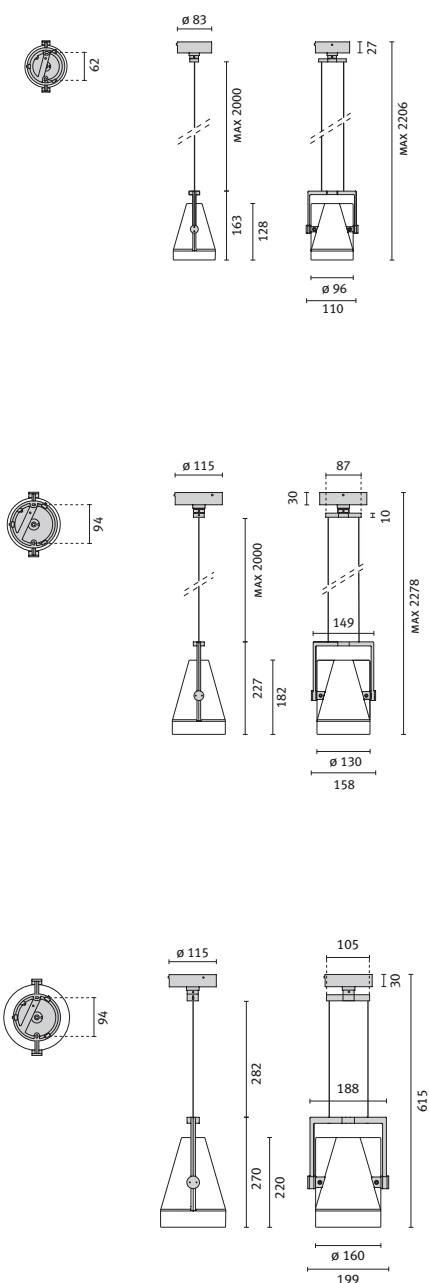
## Suspended luminaire for halogen lamps



Range of luminaires suspended mounted. Transparent glass diffuser, 95 mm, 130 mm and 160 mm diameter. Painted die cast aluminium diffuser holder and aiming system. Painted die cast aluminium canopy. Chromed metal reflector and hardware. Two suspended stainless steel aircraft cables, 2 m long. Class I, IP20. Class III versions are supplied without transformer, correct mains supply shall be done by the installer.



For coloured filters and protective glass, see page 460



JUEL MINI LUM/R	Met. grey structure	Socket type	Light angle
QR-CBC 51 max 35 W - class III	<b>006493</b>	GU5,3	10°- 24°- 38°- 60°
QPAR 51 max 35 W	<b>006492</b>	GU10	35°



All R models have a small cylindrical base in aluminium.

JUEL MUDI LUM/R	Met. grey structure	Socket type	Light angle
QPAR max 75 W	<b>006495</b>	E27	8°- 24°- 45°



All R models have a small cylindrical base in aluminium.

JUEL MAXI LUM/R	Met. grey structure	Socket type	Light angle
PAR 38-CB max 120 W	<b>006497*</b>	E27	12°- 30°

\* not suitable for coloured filters



All R models have a small cylindrical base in aluminium.

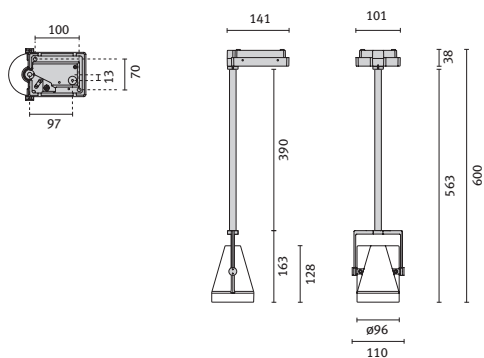
Decorative fixtures for residential use



# JUEL LUM/T400

Suspended luminaire for halogen and discharge lamps

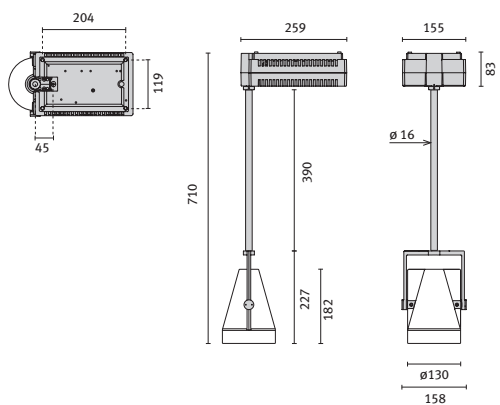
Range of luminaires suspended mounted. Transparent glass diffuser, 95 mm, 130 mm and 160 mm diameter. Painted die cast aluminium diffuser holder and aiming system. Painted die cast aluminium canopy. Painted aluminium rigid system available in two lengths, 400 and 800 mm. Chromed metal reflector and hardware. Class I, IP20.



JUEL MINI LUM/T400	Met. grey structure	Socket type	Light angle
QPAR 51 max 35 W	<b>006510</b>	GU5,3	10°- 24°- 38°- 60°



Bases for Mini fixtures, with  $\varnothing$  95 mm diffuser.

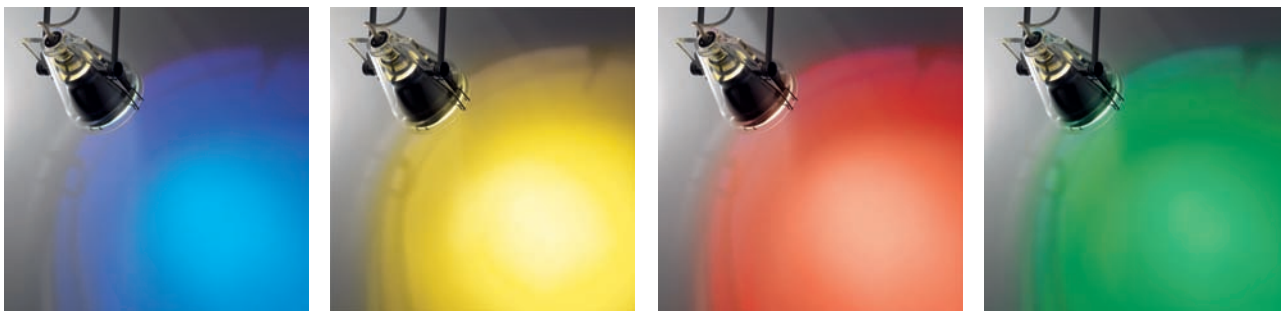


JUEL MUDI LUM/T400	Met. grey structure	Socket type	Light angle
QR111 max 100 W c/w trafo	<b>006560</b>	G53	8°- 24°- 45°
HST-CRI 50 W c/w electronic ballast	<b>006523*</b>	Gx12	-
HIR111 35 W c/w electronic ballast	<b>006561</b>	Gx8,5	-

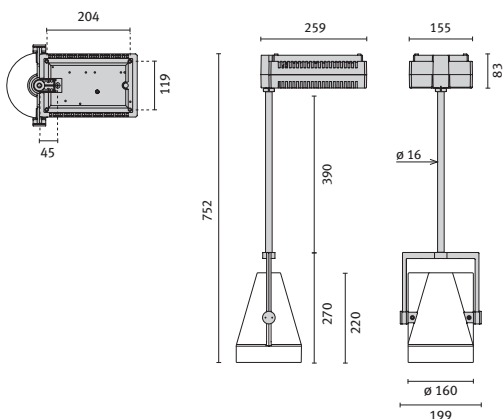
\* not suitable for coloured filters



Bases for Midi fixtures, with  $\varnothing$  130 mm diffuser.



For coloured filters and protective glass, see page 460



<b>JUEL MAXI LUM/T400</b>	Met. grey structure	Socket type	Light angle
HST-CRI 100 W c/w electronic ballast	<b>006541*</b>	Gx12	-

\* not suitable for coloured filters



Bases for Maxi fixtures, with  $\varnothing$  160 mm diffuser.

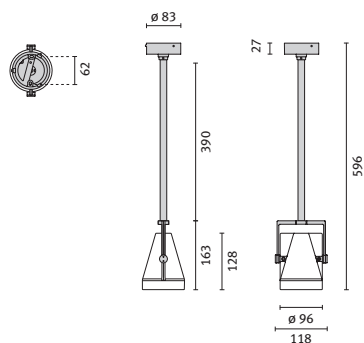
Decorative fixtures for residential use



## JUEL LUM/TR400

Suspended luminaire for halogen lamps

Range of luminaires suspended mounted. Transparent glass diffuser, 95 mm, 130 mm and 160 mm diameter. Painted die cast aluminium diffuser holder and aiming system. Painted die cast aluminium canopy. Painted aluminium rigid system. Chromed metal reflector and hardware. Class I, IP20.



### JUEL MINI LUM/TR400

Met. grey structure	Socket type	Light angle
QPAR 51 max 35 W	GU5,3	10°- 24°- 38°- 60°

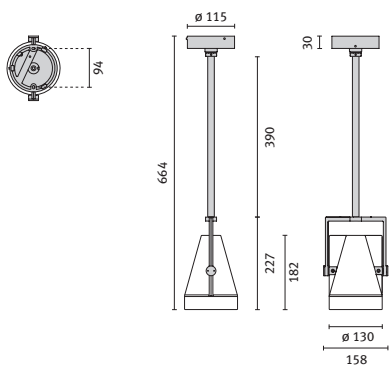
006500

GU5,3

10°- 24°- 38°- 60°



All R models have a small cylindrical base in aluminium.



### JUEL MIDI LUM/TR400

Met. grey structure	Socket type	Light angle
QPAR max 75 W	E27	8°- 24°- 45°

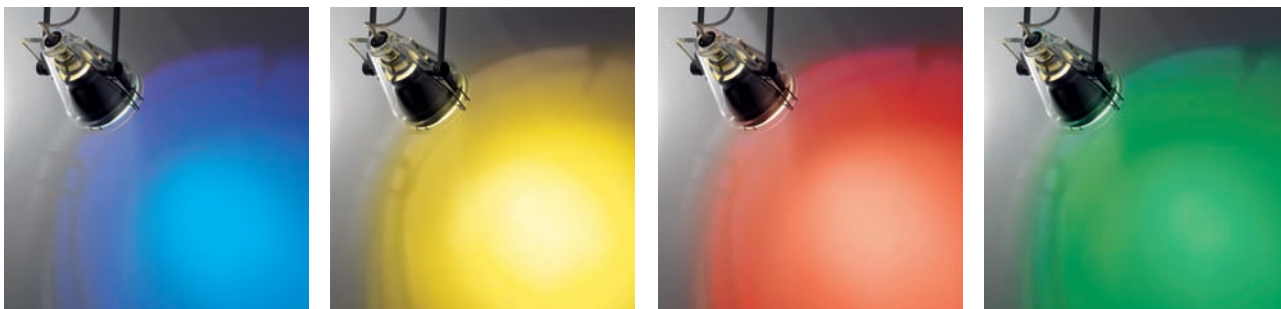
006501

E27

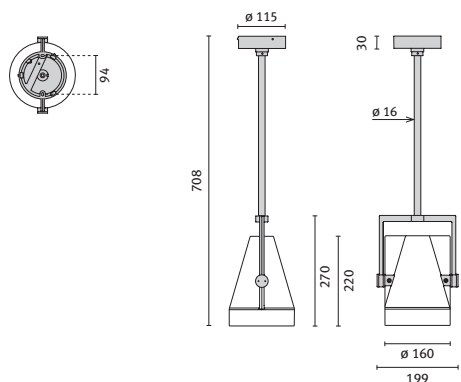
8°- 24°- 45°



All R models have a small cylindrical base in aluminium.



For coloured filters and protective glass, see page 460



<b>JUEL MAXI LUM/TR400</b>	Met. grey structure	Socket type	Light angle
PAR 38-CB max 120 W	<b>006502*</b>	E27	12°- 30°

\* not suitable for coloured filters



All R models have a small cylindrical base in aluminium.